



Required Tools



Goggles



Safety Gloves



Drill



Drill Bit: 5/32" [4mm]



Bit Extender



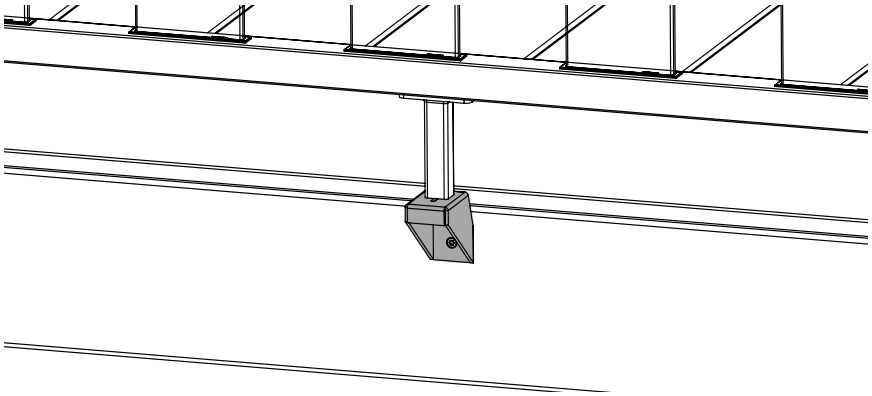
Pencil



Spring Punch



T-25 Driver Bit



INSTALLATION

Step 1: Pre-drill Screw Hole (If Mounting onto Metal Surface)

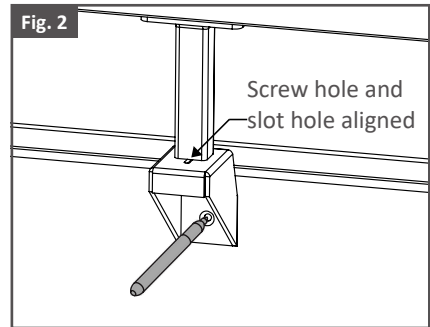
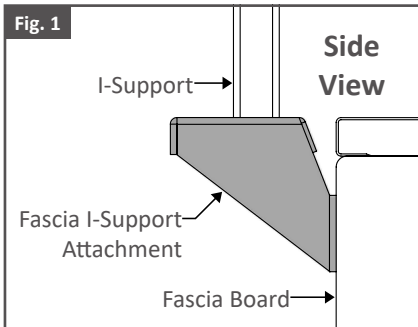
1. Position the Fascia I-Support Attachment flush with the bottom face of the I-Support and side face of the Fascia Board. As shown in Fig. 1.
2. Once positioned, be sure the slot hole on the attachment and the screw hole on the I-Support are aligned.

The positioning of the slot hole and screw hole is critical for a successful installation.

3. Using a pencil, mark the desired position of screw to be fastened onto Fascia Board. As shown in Fig. 2.
4. Using a 5/32" [4mm] drill bit, pre-drill a screw hole on previously marked screw location.

Tip:

- Before marking desired screw location, confirm the Fascia I-Support Attachment is positioned correctly with the slot hole on the attachment and screw hole on I-Support aligned.

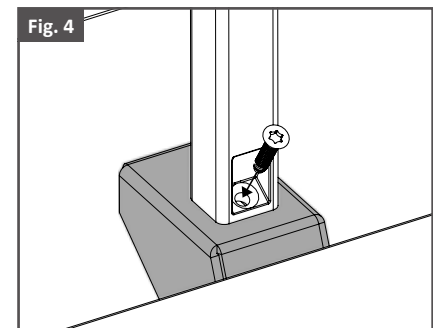
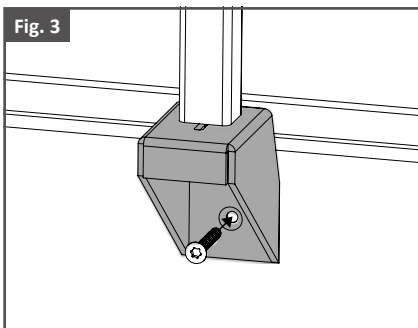


Step 2: Mount Fascia I-Support Attachment onto Fascia Board & I-Support

1. Repeat step 1: 1 & 2.
2. Attach the Fascia I-Support Attachment to the Fascia Board with the provided T-25 Wood Screw. As shown in Fig. 3. Use low speed setting on drill.
3. Fasten the I-support onto the Fascia I-Support Attachment with the second provided T-25 Thread-Cutting Screw. As shown in Fig. 4.

Note:

- The second provided T-25 Thread-Cutting Screw is used **ONLY** if mounting the Fascia I-Support Attachment onto a metal surface instead of the Fascia Board.
- Notching may be required for decks that have overhanging deck boards.





JOIN THE REVOLUTION.

FortressBP.com | 866.323.4766

© 2021 Fortress Building Products.

Unless otherwise noted, all proprietary names are trademarks of Fortress Iron, LP. All rights reserved.

10/2021